

CIT-V CIR-V SERIES

Correctional Institute Telephones

CIT-V CIR-V SERIES OUTDOOR/INDOOR INDUSTRIAL VOIP NON-HAZARDOUS TELEPHONES

- CIT-40-V Metal Keypad/Armored Handset Cord
- CIR-41-V Direct Call Ringdown/Armored Handset Cord

FEATURES and BENEFITS

- 14 gauge corrosion protected steel enclosure with powder coat finish.
- ADA Compliant.
- 16" Armored ligature resistant handset cord with rugged 360° swivel.
- High Impact Polycarbonate handset with lock on caps.
- Noise reducing microphone.
- Hearing-aid compatible with inductively coupled hearing-aid devices.
- Vandal resistant metal keypad, standard 3 x 4 matrix.
- Faceplate secured with vandal resistant screws.
- Rear mounting plate with wiring access.
- VoIP Sitara Class Control Module:
 - The new OS with web interface to support product configuration easier with logs and status bars. Enhanced self-diagnostics. Interactive help.
 - Supports the latest security protocols (ie: TLS1.2) while still maintaining backwards compatibility.
 - SSL Certificates are supported. Web Interface Screen for SSL. Allows import of web, client and auto provisioning Client Certificates.
 - Compatible with SIP-based IP-PBX servers that comply with SIP (RFC 3261).
- PoE 802.3aT enabled (Power-over-Ethernet) or alternate power source (24VDC).
- Realtime monitoring and notification of handset health.
- "Full" duplex operation.
- Opto-Isolated Inputs and Outputs.
- Magnetic hook switch to reduce parts subject to wear.
- Modular parts for easy service.



CIT-40-V



CIR-41-V

CIT-V CIR-V SERIES OF TELEPHONES

Guardian's CIT-V CIR-V SERIES are rugged telephones designed to provide safe, reliable communication in Correctional locations prone to abuse and vandalism. The rugged nature of these telephones reduces overall costs to the Correctional Facilities as they are not constantly repairing or replacing these telephones in hostile environments.

Includes the new Guardian VoIP Sitara Class Control Module, fully redesigned with latest technology and enhancements and expandable and adaptable for future product development. Configuration changes can now be made and committed without a full reboot. Three drive partitions allows multiple versions of the firmware to be maintained. Logs and status bars are now included as part of the web interface. Improved hardware architecture to make field replacements of peripherals simple.

APPLICATIONS

These telephones are designed for use in locations that are prone to physical abuse and vandalism such as:

Correctional Facilities
Airport Security Areas
Transit Fare Kiosks
Public Access Areas
Health Facilities

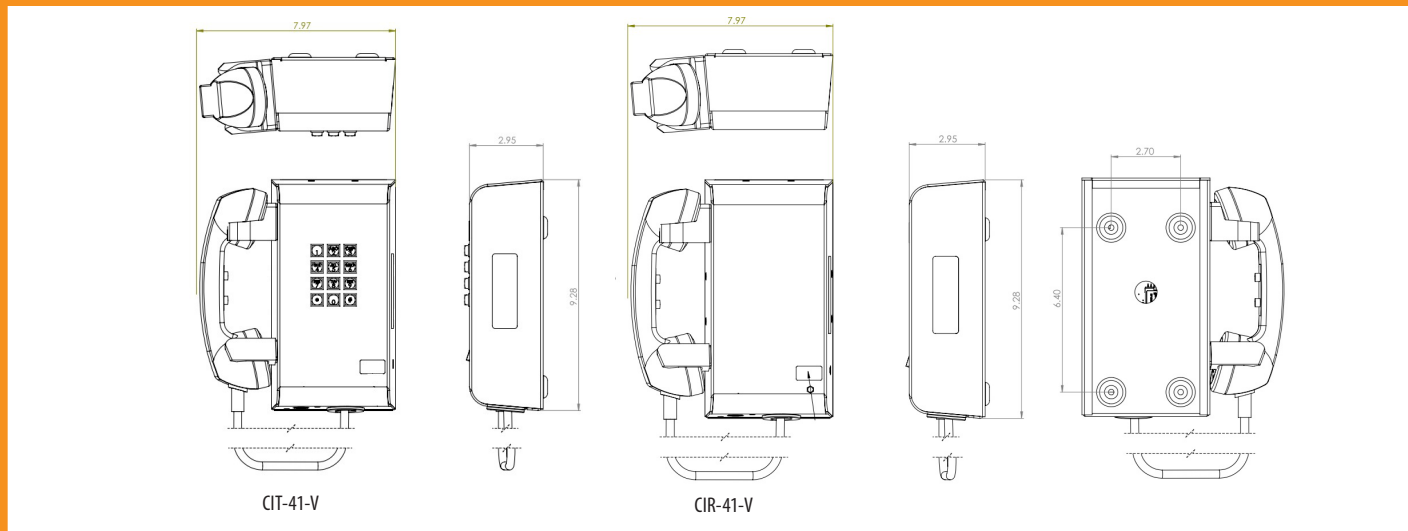
Secured Areas Within Institutions
Security/Information Areas
Secure Reception Areas
Public Safety Purposes
and more . . .



right. rugged. ready.



OVERALL DIMENSIONS



CIT-V CIR-V SERIES Correctional Institute Telephones

ENGINEERING SPECIFICATIONS

ELECTRICAL PERFORMANCE

Network Rate
Protocol
Codecs Supported

10/100 Mbps
SIP (RFC 3261 Compliant)
G.711 (Mu-law)
G.711 (A-law)
G.729.1 (G729) and (G729EV)
G.722.1 (SIREN7)
G.722.2 (AMR-WB)

ENVIRONMENTAL

Waterproof Enclosure
Operating temp
Storage Temp
Humidity
Dust & Corrosion Resistant

CSA Type 3R
-40° to +140°F (-40° to +60°C)
-58° to +176°F (-50° to +80°C)
0 - 100% RH
Full Gasket Faceplate

ELECTRICAL SPECIFICATIONS

Power Requirements
Method 1 – Thru LAN: POE 802.3at
Method 2 – External P
Aux / Notification Relay
Form A + Form B Solid State:
Optical Isolated Inputs (qty 4)

Switch OR via POE Injector
24VDC @ 1A

Form A Contacts 60V @ 1A, Form B 60V @ 0.5A
15mA Max
On-board current limited for 3-5V Input
Max Switching Voltage: 30VDC @ 150mA
Noise Reducing Electret
Hearing Aid Compatible

Optical Isolated Outputs (qty 4)
Microphone
Receiver

COMPLIANCE

FCC
Canada
European Commission Directives

Title 47, Part 15
ICES-003 / NMB-A
2014/30/EU & 2014/35/EU
EN55032:2015
EN55035:2017/A11:2020
EN50121

* Refer to Guardian Telecom SDOC for additional details



¹ This device complies with Part 15 of the FCC Rules. Operation is subject to the following two conditions: (1) This device may not cause harmful interference, and (2) this device must accept any interference received, including interference that may cause undesired operation.

MECHANICAL SPECIFICATIONS

Hook Switch (Cradle Switch) Life
Construction
Finish
Net Weight
Shipping Weight
Shipping Dimensions (L x W x D)
Hand Set Construction
Mounting
Hardware Material
Wiring Access

>1 000 000 Operations
14 Gauge
Zinc Dichromate Plated & Powder Coated
4 lbs (1.8 kg)
5.5 lbs (2.5 kg)
15.0" x 5.0" x 11.5" (381 x 127 x 293 mm)
High Impact Polycarbonate
Vertical Wall
Vandal Resistant Stainless Steel
Rear Opening Diameter 0.87" (22mm)

*VoIP SITARA CLASS CONTROL MODULE CONFIGURATION ENHANCEMENTS

Easy one click activation for device changes - no full reboot required.
Keypad Mode Select – Choose between ring down or lock out keypad functionality.
Timed Auto-Answer.
User defined I/O monitoring and notification events with iGuard.
Improved auto provisioning for firmware configuration updates.

*VoIP SITARA CLASS CONTROL MODULE HARDWARE ENHANCEMENTS

Expanded Keypad interface provides ample opportunity for custom applications.
New Screwless Terminal Block for ease of installation.
4 Opto-Isolated Inputs - Can use for monitoring external sensors, alarms, etc.
4 Opto-Isolated Outputs - Can use for control of external devices.

ORDERING INFORMATION

Warranty: Five years parts and labor

Order No.	Description	
P6980	CIT-40-V	Correctional Institute Telephone/Armored Handset Cord
P6981	CIT-40-V	Correctional Institute Telephone/Armored Handset Cord
P6973	CIR-41-V	Correctional Institute Ringdown Telephone/Armored Handset Cord
P6975	CIR-41-V	Correctional Institute Ringdown Telephone/Armored Handset Cord

Options	
NC	Noise Cancelling Dynamic Microphone
AD-CIR	Auto Dialer for CIR
FB-V	Ringer for CIT-40 VoIP



GUARDIAN TELECOM LTD.
Calgary, Alberta, Canada
Telephone: 403 258 3100 Facsimile: 403 255 2595
1 800 363 8010 (North America)
sales@guardiantelecom.com | www.guardiantelecom.com

